

Integration Note

Manufacturer:	Sonos
Model Number(s):	Sonos PLAYBAR up to ver. 7.0
g! Core Module Version:	8.0.278
Driver Developer:	Core Programming Limited
Document Revision Date:	03/01/2017

OVERVIEW & SUPPORTED FEATURES

This driver is designed to work in conjunction with the Elan Sonos Player Driver and provides a means of volume control and muting for the Sonos player.

In addition, it offers a “Virtual Matrix” function enabling the ability to add up to three additional “virtual” sources that can route the auxiliary input from another Sonos unit to this Sonos player.

THE FOLLOWING OPTIONS ARE SUPPORTED BY THIS DRIVER:

Volume Ramping: This driver is able to offer fast volume ramping to a linked Sonos player.

Muting: Mute can be toggled on and off, with the driver tracking state enabling the “mute on” and “mute off” commands to be used in event maps

Absolute Volume: Through Event Maps, defined volumes can be selected (i.e. to make the player turn on at a set level). Available commands are: Decrease Volume by x, Increase Volume by x, Set Volume To, Volume Down 10%, Volume Down 5%, Volume Up 10%, Volume Up 5%.

Power On/Off: The driver will automatically pause the active source on power off

Virtual Matrix: The driver offers the ability to receive the auxiliary input feed from up to three other Sonos units

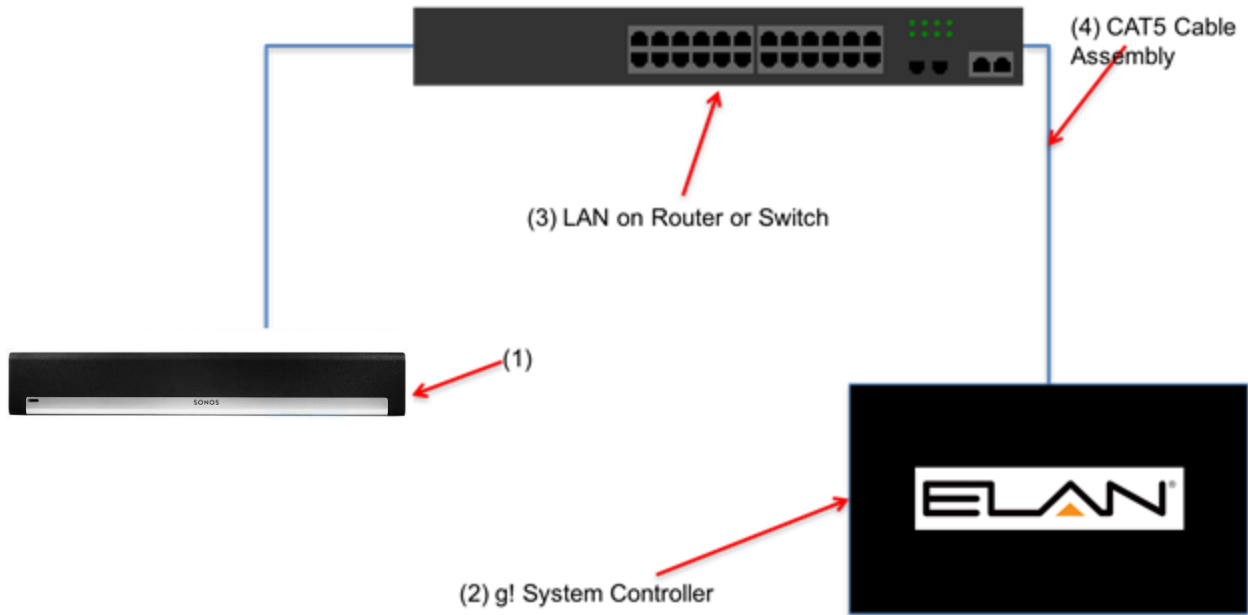
Event Mapping: As described above, event mapping allows events in the Sonos Driver to initiate a command (or group of commands) in g!

Voice Enhancer & Night Mode: These commands are unique to the PLAYBAR and are controlled from the zone settings page.

Any feature not specifically noted as supported should be assumed to be unsupported.
--

CONNECTION DIAGRAM: ETHERNET CONTROL

Refer to the Bill of Materials and Wiring Diagram that follow.



BILL OF MATERIALS

#	Device	Manufacturer	Part Number	Protocol	Connector Type
1	Sonos Player	Sonos	PLAYBAR	Ethernet	RJ-45 Female
2	g! Controller	ELAN	Various (e.g. SC2)	Ethernet	RJ-45 Female
3	Network Switch	Various	Various	Ethernet	RJ-45 Female
4	Network Cable	Various	Various	Ethernet	RJ-45 Male

SONOS CONFIGURATION

Your Sonos Player first needs set up according to the manufacturer's instructions and then needs to be added to Configurator as a source. To do this please consult the Elan Sonos Player Driver Integration Note.

Recommended Action : DHCP Lease

We recommend you assign a DHCP lease to your Sonos Player for all interfaces it supports (Wired and Wifi). Doing this ensures the Sonos will work properly even if the unit is reset to factory defaults.

g! CONFIGURATION

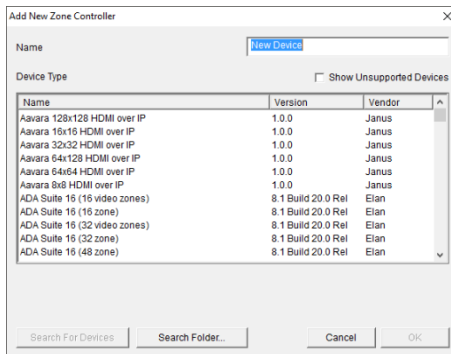
The installation process will involve loading a Zone Controller driver from a downloaded file.

Note: No communication device is needed for this IP driver.

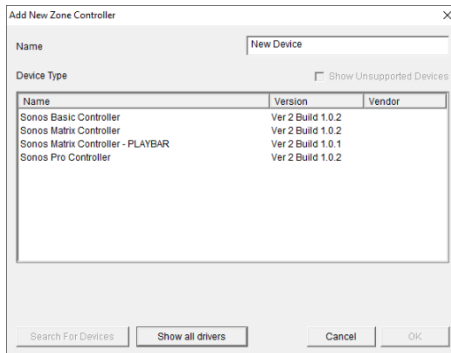
INSTALLATION PROCESS

It is recommended that you follow the below installation process to ensure you are running the latest version of the driver.

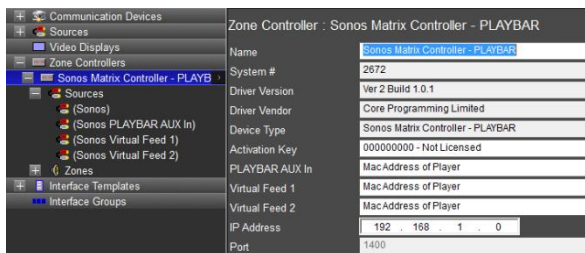
1. Download the latest version of the driver from the ELAN dealer support site or get it from your order confirmation email. If the file is zipped, then extract it to a known location.
2. Under the Media tab in configurator, right click Zone Controllers and select Add New Zone Controller.



3. On the next window use the Search Folder button to point Configurator to the location you saved the driver.

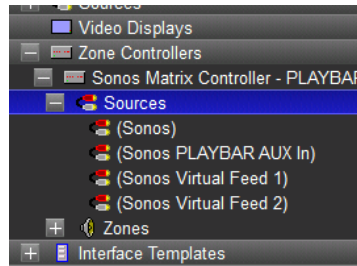


4. Select the driver and click OK.




5. The driver activation is covered in the next section.
6. Enter the IP address of the Sonos player you wish to control.

- Under the ZONE CONTROLLERS tab, select the Sonos Zone Controller you have just added and navigate to the available sources option:



- For the first source select the Sonos player that you wish to control from the drop down list and click ok. Choose an icon and set a name if required. (Please note, for the Source to appear you must have already added the full Elan Sonos Player Driver and discovered the connected players):

Media Source:

System #	31469
Source Device	Media Player: Music Source 2
Display Icon	 Select Icon...
Source Volume	< DEFAULT >
Display Name	Music Source 2

- The additional three sources are all “Virtual” and correspond to the **Virtual Feed** Field and the configuration page. In the **Source Device** field, select the device that is connected to the aux input on the Sonos Player you are wanting to receive the feed from. For example, you may have the audio out of your cable receiver plugged into here, or you may have another Sonos plugged in to enable whole house audio.

Once you have set up your sources, you then need to let Configurator know which external Sonos device each source is linked to. This is done via entering the mac address of each Sonos device into the corresponding Global Source field. Please remove any punctuation and only include numbers (e.g. to add Source 2 here, you enter the mac address of the Sonos Player to which Source 2 is connected. If the mac address is F8:52:C9:00:E1, you would remove the “:” so the number entered would read – “F852C900E1”. The “First” auxiliary input on the PLAYBAR driver is designed for its own optical input, enter the PLAYBAR MAC address here. Remember to click apply on completion:

Zone Controller : Sonos Matrix Controller - PLAYBAR

Name	Sonos Matrix Controller - PLAYBAR
System #	2672
Driver Version	Ver 2 Build 1.0.1
Driver Vendor	Core Programming Limited
Device Type	Sonos Matrix Controller - PLAYBAR
Activation Key	000000000 - Not Licensed
PLAYBAR AUX In	MacAddress of Player
Virtual Feed 1	MacAddress of Player
Virtual Feed 2	MacAddress of Player
IP Address	192 . 168 . 1 . 0
Port	1400

DRIVER LICENSE

This driver requires a license key to function. Pricing and license keys can be obtained by visiting www.intrinsicdev.co.uk

The controller MAC address is needed to generate a license key.

INSTALLATION:

The license key is entered on the main properties page of the driver.

Generic Media Source : Apple TV	
Name	Apple TV
System #	27041
Driver Version	Ver 2 Build 2.0.23
Driver Vendor	Core Programming Limited
Device Type	Apple TV
Status	Apple TV 4 Connected OK
Activation Key	456378146 - Licensed
ELAN IP Address	192.168.1.20
IP Address	192 . 168 . 1 . 113
Port	3689

Once you enter the product license key as shown above click "Apply" to save it and then within 20 seconds the driver will process the key.

After 20 seconds the driver will update the Activation Key window with the status of the license key. To see this update, you must refresh the screen by selecting another tab or device and then going back to this driver. You will either see, as above, that the driver is activated correctly or, as below, the driver is not activated.

Activation Key	456378145 - Not Licensed
----------------	--------------------------

Please check the status of the driver activation before logging a support ticket.

g! CONFIGURATION DETAILS

The following table provides settings used in Configurator. Please refer to the Configurator Reference Guide for more details.

In the table below:

- "<Select from list>" Select the appropriate item from drop down.
- "<User Defined>", etc. Type in the desired name for the item.
- "<Auto Detect>", etc. The system will auto detect this variable.

Devices	Variable Name	Settings (Ethernet)
Zone Controller	Name	<User Defined> (Default <Auto Detect>)
	System #	<Auto Detect>
	Driver Version	<Auto Detect>
	Driver Vendor	Core Programming Limited
	Device Type	Sonos Matrix Controller
	Activation Key	<User Defined> (Enter key supplied by Intrinsic Dev)
	Sonos PLAYBAR AUX In	<User Defined> (Enter MAC address of Sonos PLAYBAR)
	Virtual Feed 1	<User Defined> (Enter MAC address of Sonos AUX Input)
	Virtual Feed 2	<User Defined> (Enter MAC address of Sonos AUX Input)
	IP Address	<User Defined> (Enter IP address of Sonos player that you wish to control)
	Port	<Auto Detect>

COMMON MISTAKES

1. Not entering the correct IP for Sonos.
2. Not having the latest firmware installed, this driver **REQUIRES** at least ELAN FW 8.0.278.
3. No communication device is needed.

ELAN DEVELOPER PARTNER INFORMATION

This ELAN driver was written and supported by:



support@intrinsicdev.co.uk
www.intrinsicdev.co.uk